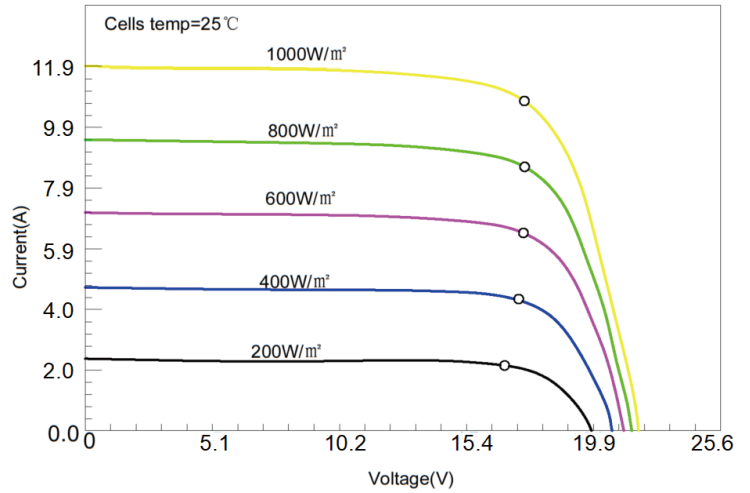




Portable Solar Panel (HP-2*100W)



Product Description

Sungold Hi-Power Series foldable Solar Panel is a high-efficiency, foldable solar panel that comes in a stylish and convenient carrying bag that can be easily carried with the help of the handle. It is suitable for high-power application scenarios such as off-grid home, RVs, commercial vehicles, boats, outdoor camping, and outdoor emergency situations.

Features



High power output



IP65 waterproof



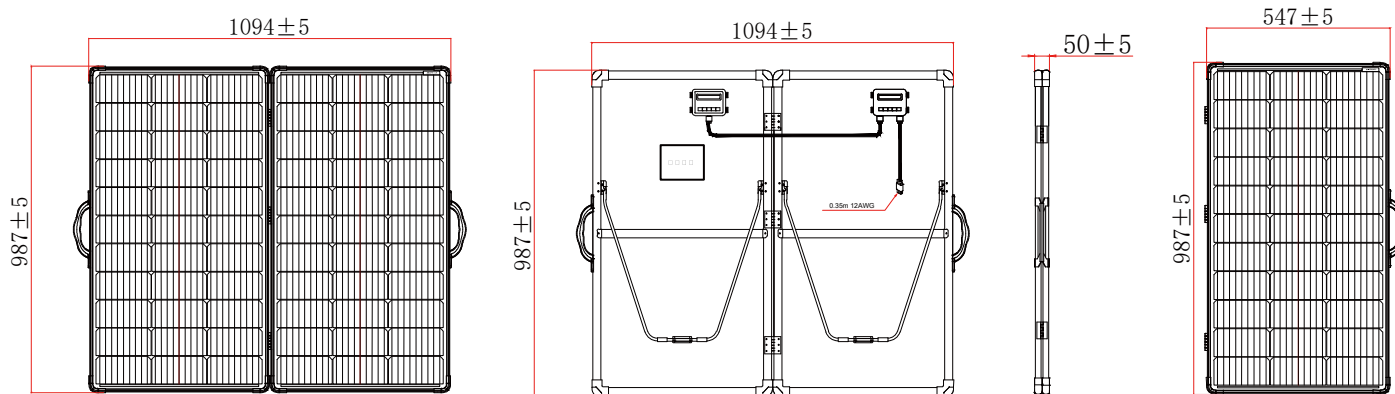
High protection performance



Lightweight



Module Diagram



HP-2x100W

Product Parameters

Maximum power(Pmax)	2X100W	3X100W	4X100W
Open-circuit voltage(Voc)	21.8V	21.8V	42.5V
Voltage at Pmax(Vmp)	18.2V	18.2V	36.4V
Short-circuit current(Isc)	12A	18A	12A
Current at Pmax(Imp)	11A	16.5A	11A
Unfold size	1095*987*25mm	1640*987*25mm	2188*987*25mm
Folded size	987*547*50mm	987*547*70mm	987*547*90mm
Weight	6.15kg	9.5kg	12.4kg
The maximum system voltage	100VDC(IEC)		200VDC(IEC)
Operating temperature	-20~70℃		
Cells efficiency(%)	22.62%		
Solar cell	Monocrystalline (166*166mm)		
Power temperature coefficient	-0.42%/℃		
Voltage temperature coefficient	-0.32%/℃		
Current temperature coefficient	0.04%/℃		
Output power tolerance	±5%		
Border material	Aluminum frame		
Connector	30A Anderson		
Junction box	PV-HX026A/ PV-HX026B		

*SUNGOLD offer customize service, please refer to our website or ask SUNGOLD workers for more sizes and the latest parameters.